

# Pull Tight Plastic Seal

Model: OS7350



## Seal Classification

- Indicative Seal
- Load to Failure : >25kgs

## Material

- Metal lock mechanisms insert
- Plastic: PP/PA66

## Production standard

- ISO 17712/PAS
- ISO 9001: 2008



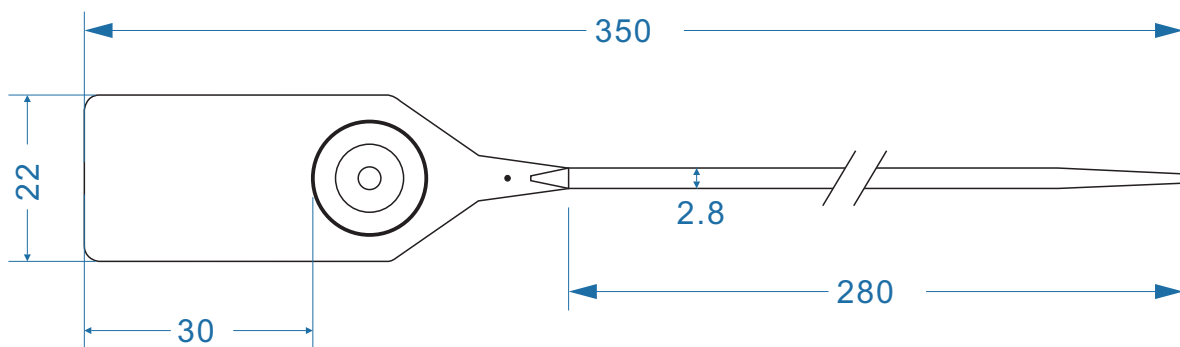
# Pull Tight Plastic Seal

## Model: OS7350

### Drawing

The overall length is 350mm

The effective lock length is 280mm



# Pull Tight Plastic Seal

Model: OS7350

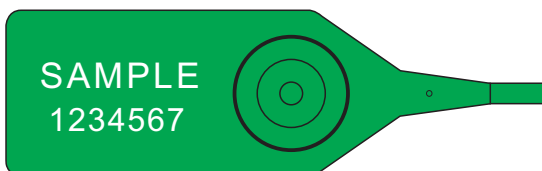
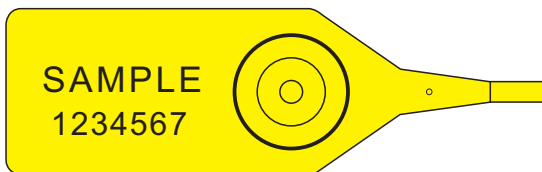
## Printing

[] Laser engraving or hot stamp.

[] Company Logo/Name

[] Sequential number

[] Bar code decoration is also available



## Color

The standard color, any color is possible.

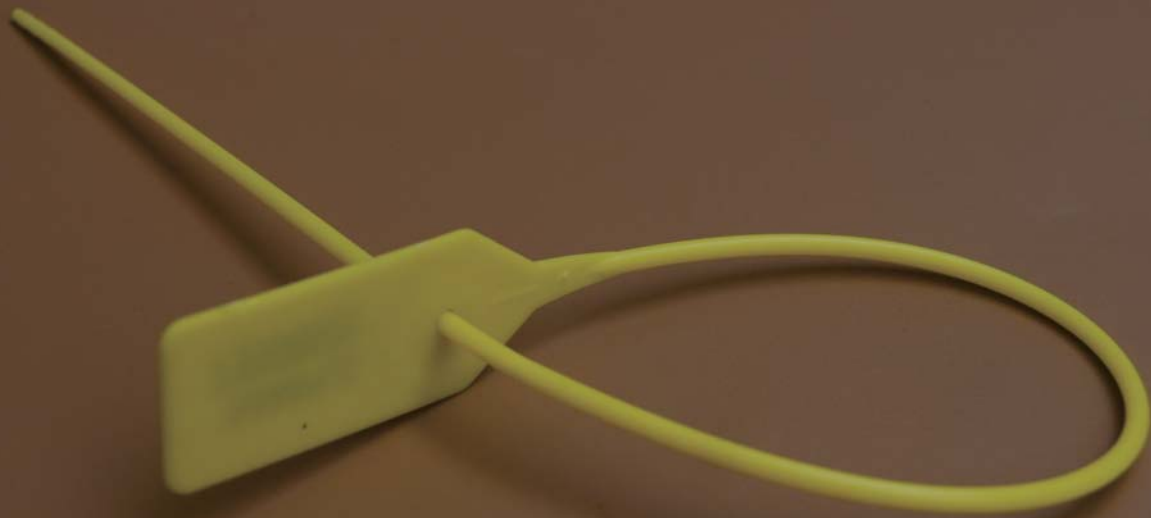


Black White Orange Red Blue Green Yellow



# Pull Tight Plastic Seal

Model: OS7350



## Package

- [ ] 100pcs per bag
- [ ] 5000pcs per carton
- [ ] Net weight: 20kgs
- [ ] Gross weight: 22kgs
- [ ] Measure : 500\*400\*350mm

